

DOOR AND WINDOW		
NAME		SIZE
Door	D	900x2100
Door	D1	700x2100
Alu. Sliding Window	W	900x900
Ventilation	V	400x400

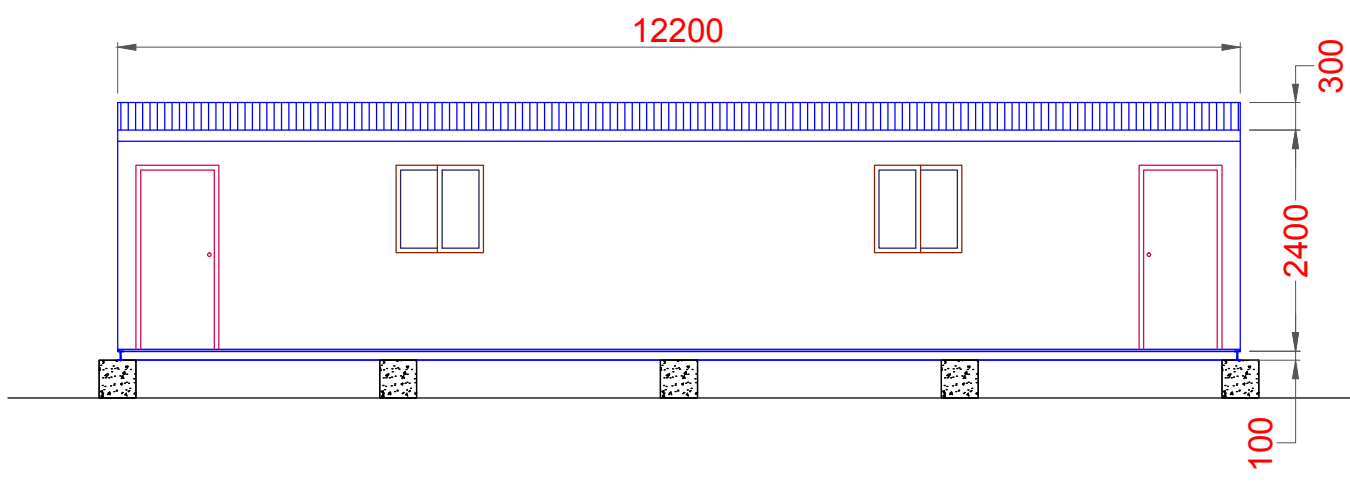
LEGEND- ELECTRICAL	
	Ref. Fluorescent fitting-4x18w (60x60)
	Fluorescent fitting-1x36w
	Fluorescent fitting-2x36w
	W/P Fluorescent fitting-1x36w
	W/P Fluorescent fitting-2x36w
	Fluorescent fitting w/ prismatic diff.-2x36w
	Fluorescent fitting w/ prismatic diff.-1x36w
	Fluorescent fitting-1x18w
	W/P Fluorescent fitting-1x18 w
	Bulkhead lamp
	Emergency light with exit sign- 1x8w
	Emergency light -2x10w
	One gang one way switch
	Two gang one way switch
	Three gang one way switch
	Double pole switch with neon-20A
	Data point (provision only)
	Tel point (provision only)
	TV cable point (provision only)
	Exhaust fan (6")
	Water heater 12 gl.
	Isolator-32A (IP 65,TP/SP)
	15A Switched socket
	13A Switched socket
	13A Switched socket(Double)
	Distribution board
	Tel .end point
	Data .end point

PLUMBING	
	W/C EUROPEAN
	W/C ASIAN
	WASH BASIN
	URINAL
	SHOWER TRAY
	SINK
	WATER HEATER
	WATER TRAP

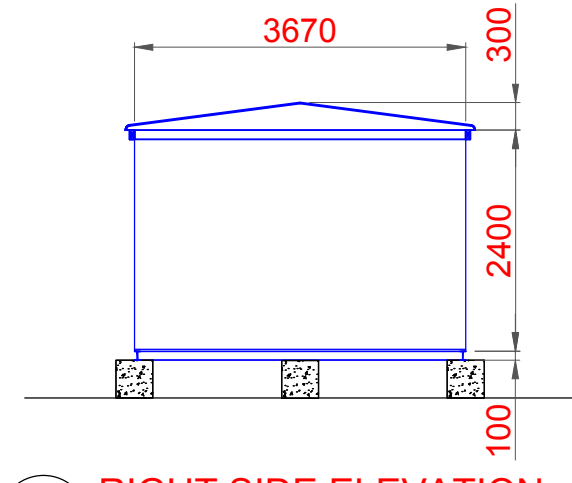
لتون صناعة المباني المعدنية ش.ذ.م.م

# ALTON

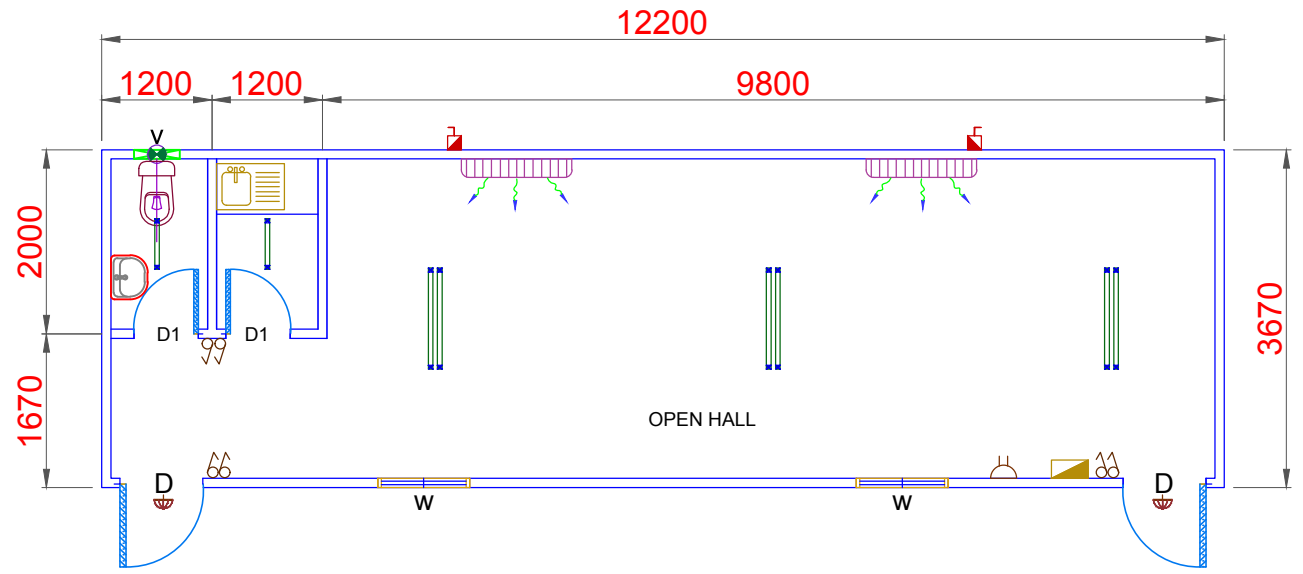
PREFABRICATED METAL BLDG IND LLC



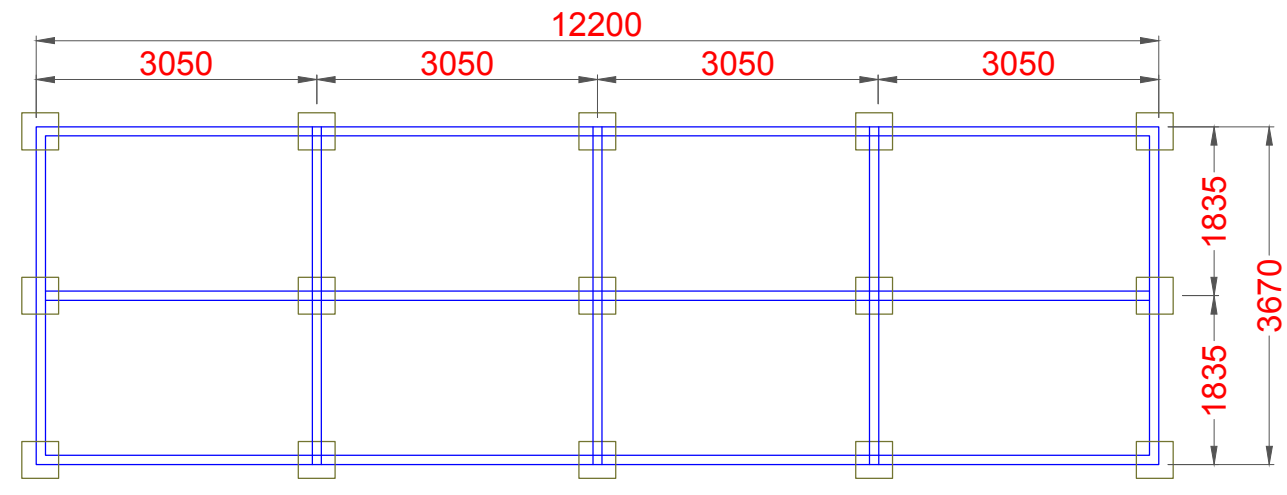
FRONT ELEVATION



RIGHT SIDE ELEVATION



ARCHITECTURAL PLAN  
SIZE: 12.20 x 03.67 m



SKID & FOUNDATION PLAN

SHEET CONTENTS:

CABIN	
CHECK BY:	APPROVED BY:
DRAWN BY: RAUF/03	DWG. NO. OF-113
DATE: March-02-2016	REF. NO.
SCALE: NTS	SHEET NO.
JOB NO.	