

| DOOR AND WINDOW | | |
|---------------------|----|----------|
| NAME | | SIZE |
| Door | D | 900x2100 |
| Door | D1 | 700x2100 |
| Alu. Sliding Window | W | 900x900 |
| Ventilation | V | 400x400 |

| LEGEND- ELECTRICAL | |
|--------------------|--|
| | Ref. Fluorescent fitting-4x18w (60x60) |
| | Fluorescent fitting-1x36w |
| | Fluorescent fitting-2x36w |
| | W/P Fluorescent fitting-1x36w |
| | W/P Fluorescent fitting-2x36w |
| | Fluorescent fitting w/ prismatic diff.-2x36w |
| | Fluorescent fitting w/ prismatic diff.-1x36w |
| | Fluorescent fitting-1x18w |
| | W/P Fluorescent fitting-1x18 w |
| | Bulkhead lamp |
| | Emergency light with exit sign- 1x8w |
| | Emergency light -2x10w |
| | One gang one way switch |
| | Two gang one way switch |
| | Three gang one way switch |
| | Double pole switch with neon-20A |
| | Data point (provision only) |
| | Tel point (provision only) |
| | TV cable point (provision only) |
| | Exhaust fan (6") |
| | Water heater 12 gl. |
| | Isolator-32A (IP 65,TP/SP) |
| | 15A Switched socket |
| | 13A Switched socket |
| | 13A Switched socket(Double) |
| | Distribution board |
| | Tel .end point |
| | Data .end point |

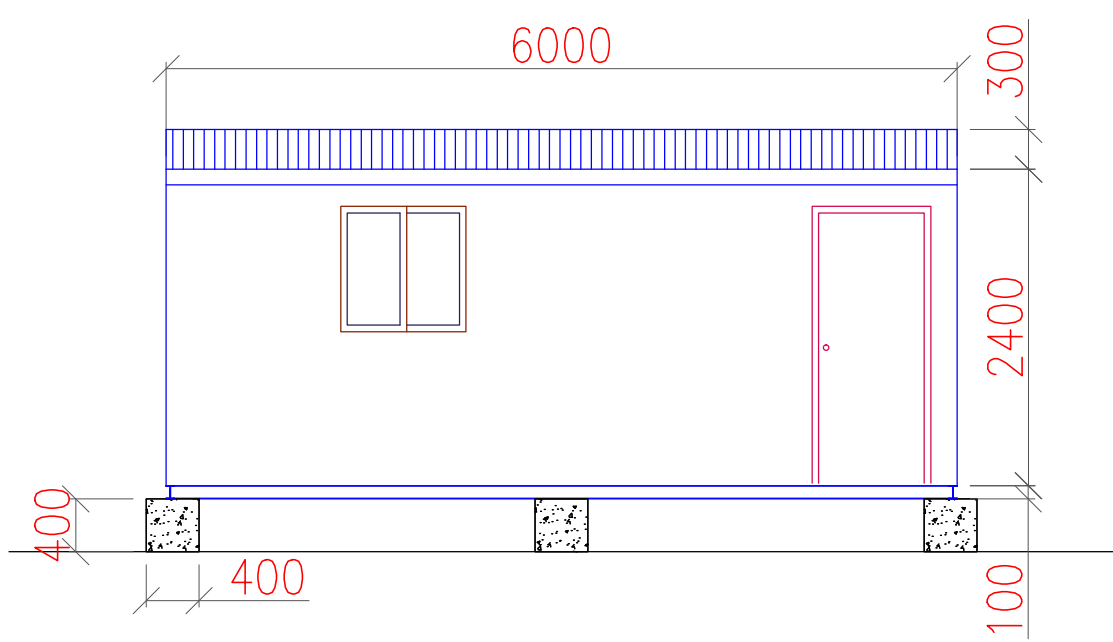
| PLUMBING | |
|----------|--------------|
| | W/C EUROPEAN |
| | W/C ASIAN |
| | WASH BASIN |
| | URINAL |
| | SHOWER TRAY |
| | SINK |
| | WATER HEATER |
| | WATER TRAP |

لتون صناعة المباني المعدنية ش.ذ.م.م

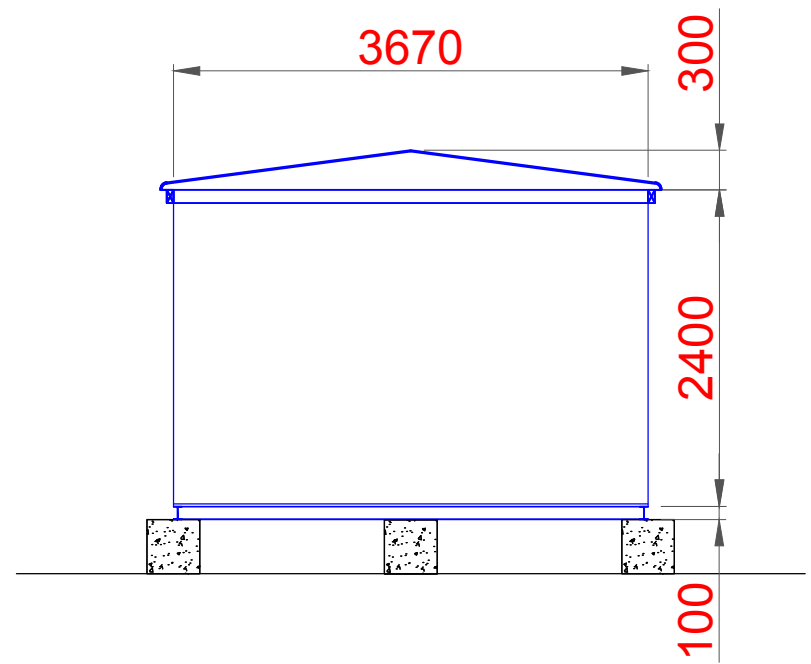
ALTON

PREFABRICATED METAL BLDG IND LLC

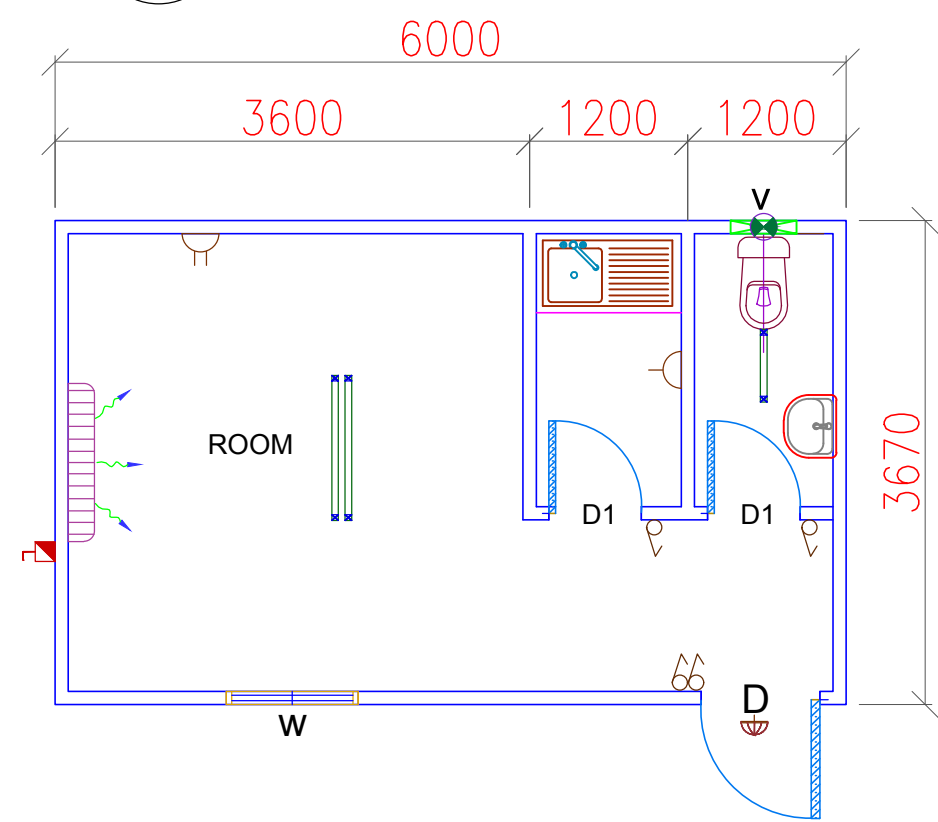
| SHEET CONTENTS: | |
|------------------------|-------------------------|
| CABIN | |
| CHECK BY: | APPROVED BY: |
| DRAWN BY: RAUF/03 | DWG. NO. OF-113 |
| DATE: March-02-2016 | REF. NO. |
| SCALE: NTS | JOB NO. |
| | SHEET NO. 1/1 |



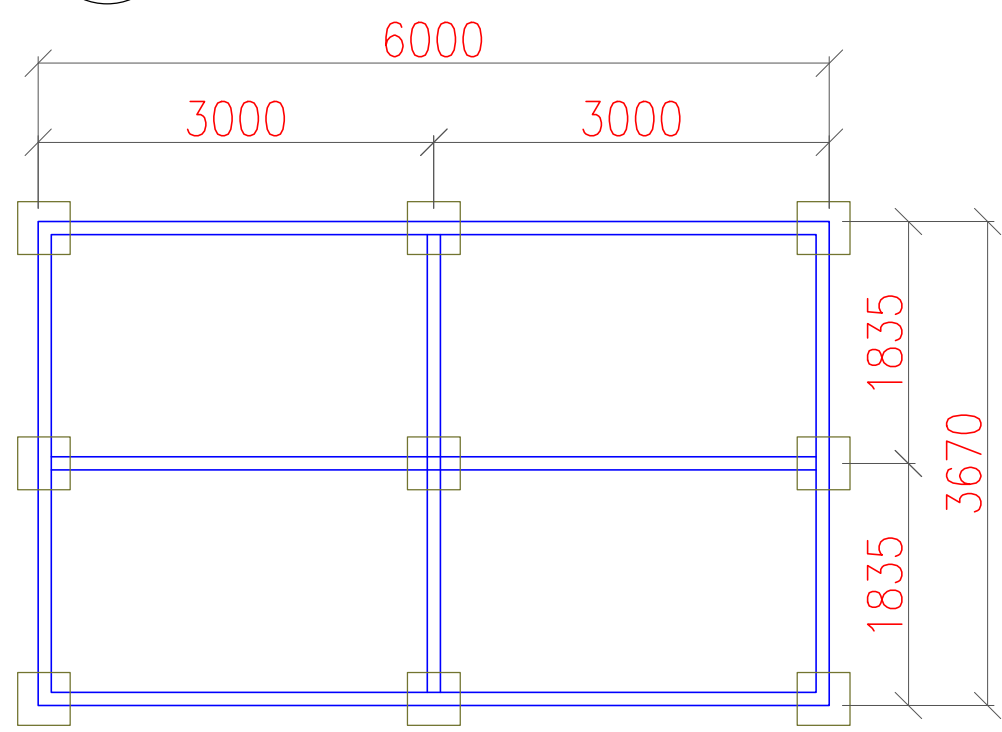
FRONT ELEVATION



RIGHT SIDE ELEVATION



ARCHITECTURAL PLAN
SIZE: 06.00x03.67 m



SKID & FOUNDATION PLAN