

DOOR AND WINDOW

NAME	SIZE
Door	D 900x2100
Door	D1 700x2100
Alu. Sliding Window	W 900x900
Ventilation	V 400x400

LEGEND- ELECTRICAL

Ref. Fluorescent fitting-4x18w (60x60)
Fluorescent fitting-1x36w
Fluorescent fitting-2x36w
W/P Fluorescent fitting-1x36w
W/P Fluorescent fitting-2x36w
Fluorescent fitting w/ prismatic diff.-2x36w
Fluorescent fitting w/ prismatic diff.-1x36w
Fluorescent fitting-1x18w
W/P Fluorescent fitting-1x18 w
Bulkhead lamp
Emergency light with exit sign- 1x8w
Emergency light -2x10w
One gang one way switch
Two gang one way switch
Three gang one way switch
Double pole switch with neon-20A
Data point (provision only)
Tel point (provision only)
TV cable point (provision only)
Exhaust fan (6")
Water heater 12 gl.
Isolator-32A (IP 65,TP/SP)
15A Switched socket
13A Switched socket
13A Switched socket(Double)
Distribution board
Tel .end point
Data .end point

PLUMBING

W/C EUROPEAN
W/C ASIAN
WASH BASIN
URINAL
SHOWER TRAY
SINK
WATER HEATER
WATER TRAP

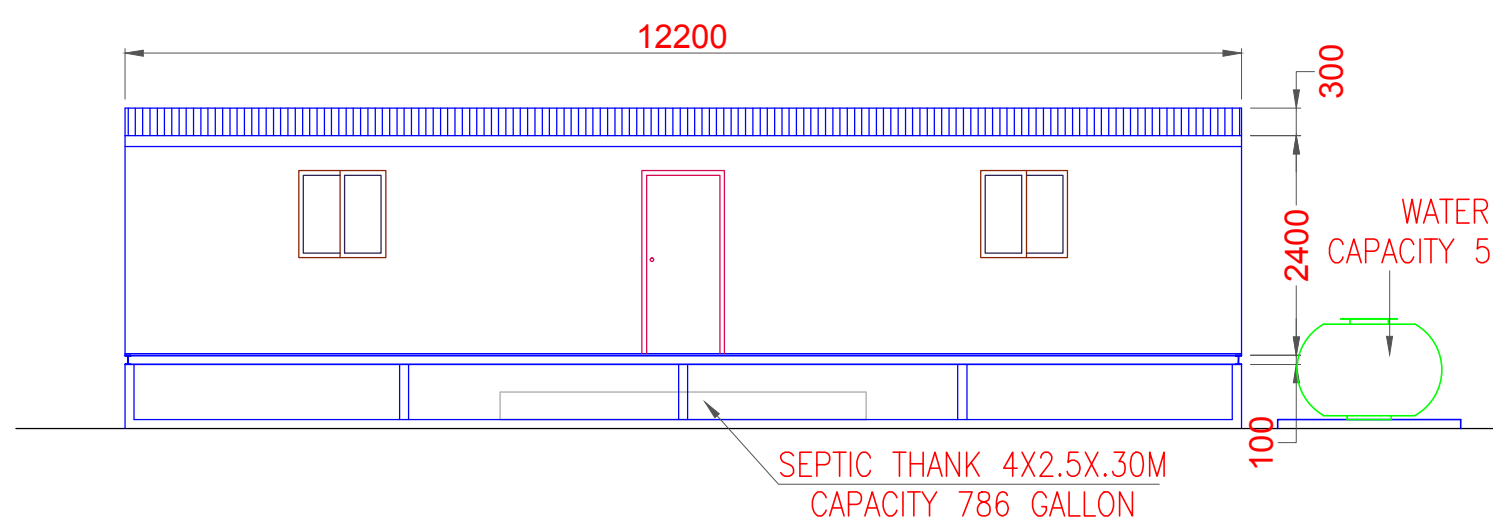
لتون صناعة المباني المعدنية ش.ذ.م

ALTON

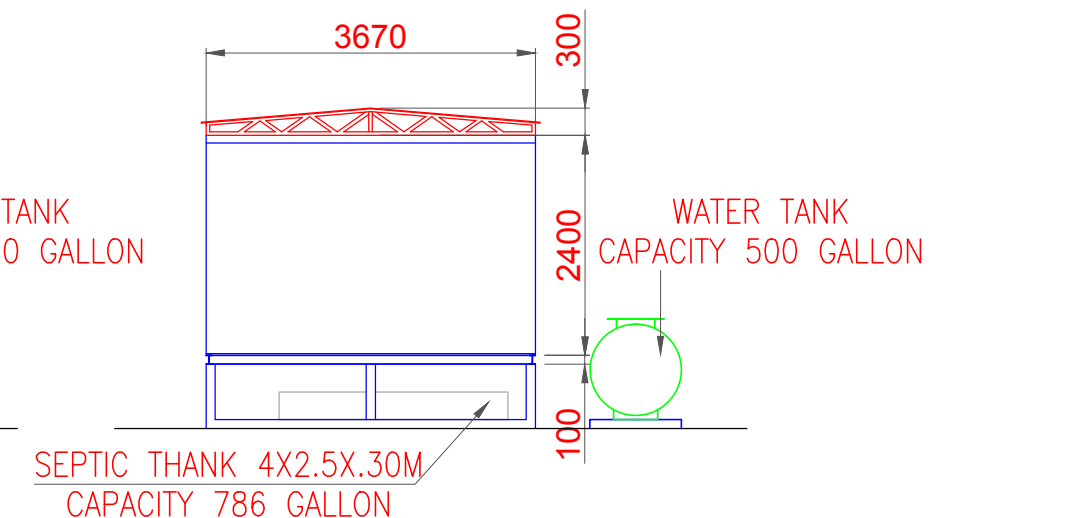
PREFABRICATED METAL BLDG IND LLC

SHEET CONTENTS:

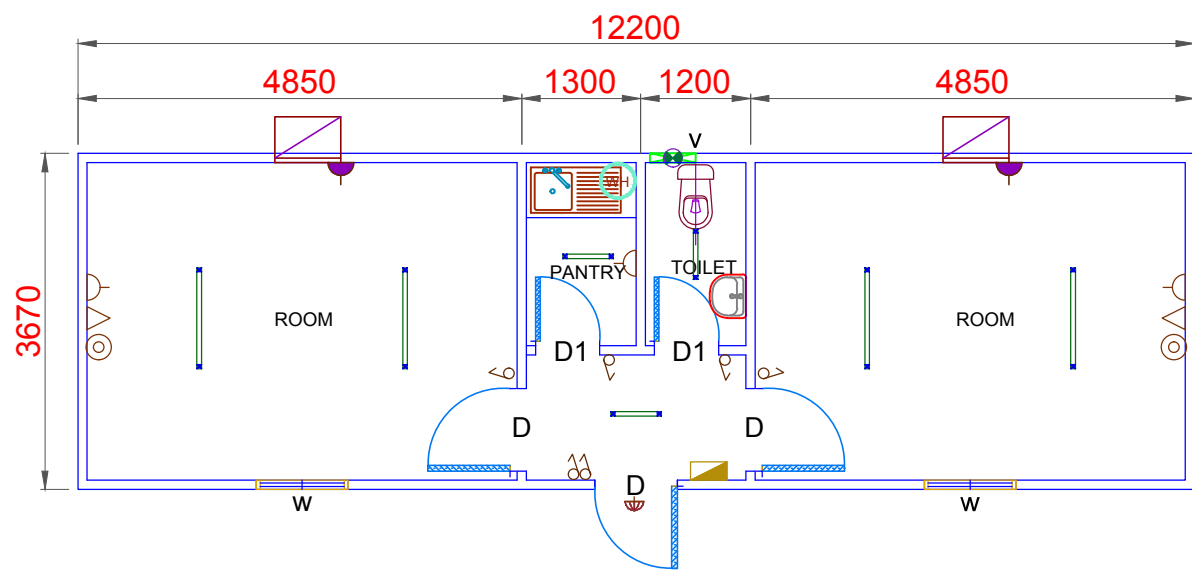
CABIN	
CHECK BY:	APPROVED BY:
DRAWN BY: RAUF/03	DWG. NO. OF-113
DATE: March-02-2016	REF. NO.
SCALE: NTS	JOB NO.
	SHEET NO. 1/1



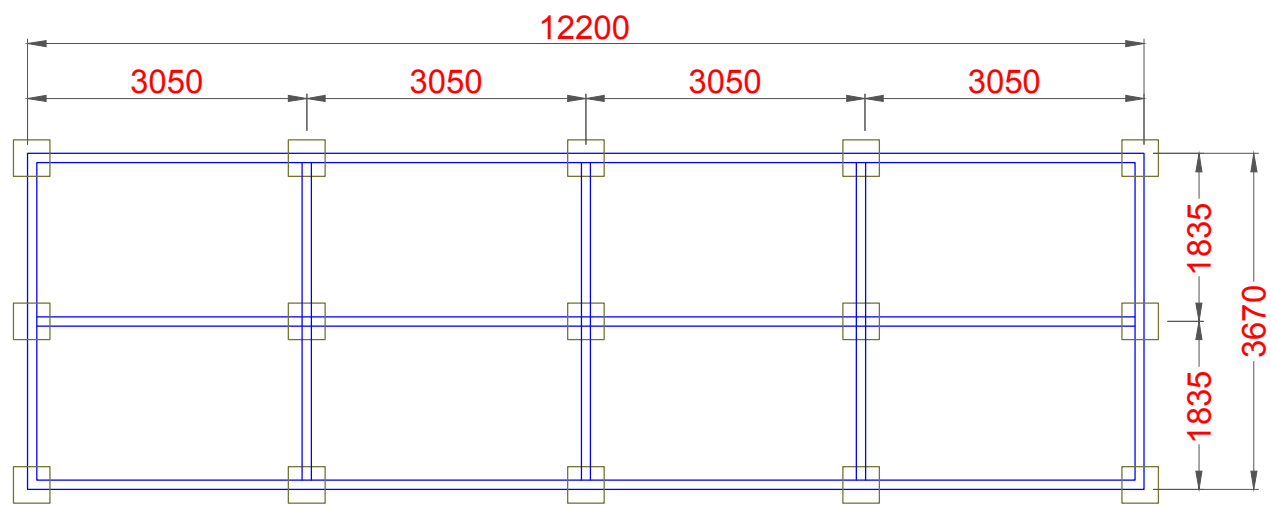
FRONT ELEVATION



RIGHT SIDE ELEVATION



ARCHITECTURAL PLAN
SIZE: 12.2 x 3.67 m



SKID & FOUNDATION PLAN