

**DOOR AND WINDOW**

NAME	SIZE
Door	D 900x2100
Door	D1 700x2100
Alu. Sliding Window	W 900x900
Ventilation	V 400x400

**LEGEND- ELECTRICAL**

	Ref. Fluorescent fitting-4x18w (60x60)
	Fluorescent fitting-1x36w
	Fluorescent fitting-2x36w
	W/P Fluorescent fitting-1x36w
	W/P Fluorescent fitting-2x36w
	Fluorescent fitting w/ prismatic diff.-2x36w
	Fluorescent fitting w/ prismatic diff.-1x36w
	Fluorescent fitting-1x18w
	W/P Fluorescent fitting-1x18 w
	Bulkhead lamp
	Emergency light with exit sign- 1x8w
	Emergency light -2x10w
	One gang one way switch
	Two gang one way switch
	Three gang one way switch
	Double pole switch with neon-20A
	Data point (provision only)
	Tel point (provision only)
	TV cable point (provision only)
	Exhaust fan (6")
	Water heater 12 gl.
	Isolator-32A (IP 65,TP/SP)
	15A Switched socket
	13A Switched socket
	13A Switched socket(Double)
	Distribution board
	Tel .end point
	Data .end point

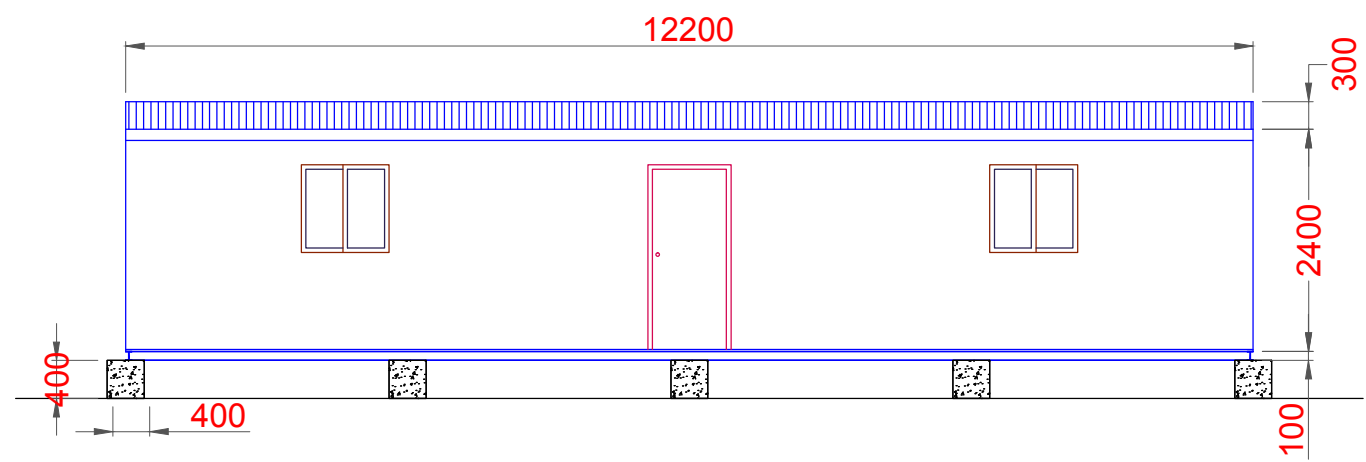
**PLUMBING**

	W/C EUROPEAN
	W/C ASIAN
	WASH BASIN
	URINAL
	SHOWER TRAY
	SINK
	WATER HEATER
	WATER TRAP

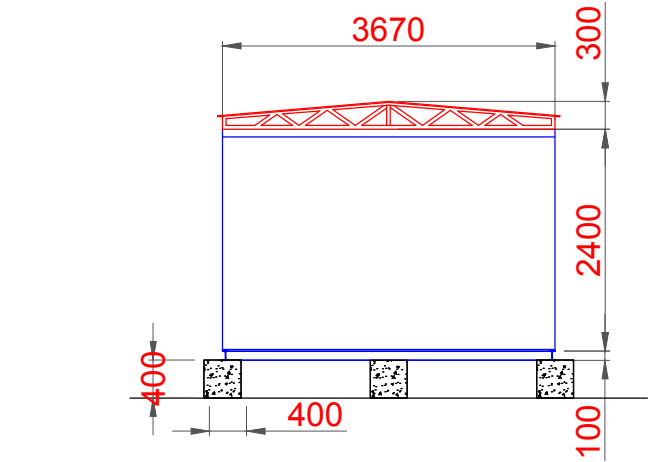
لتون صناعة المباني المعدنية ش.ذ.م.م

# ALTON

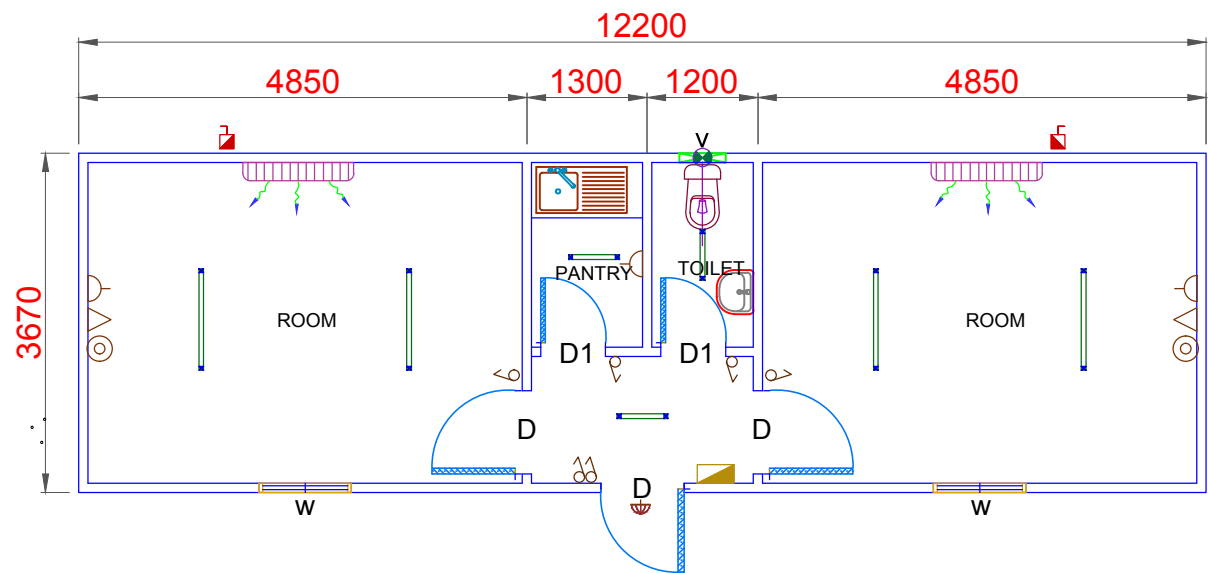
PREFABRICATED METAL BLDG IND LLC



**FRONT ELEVATION**

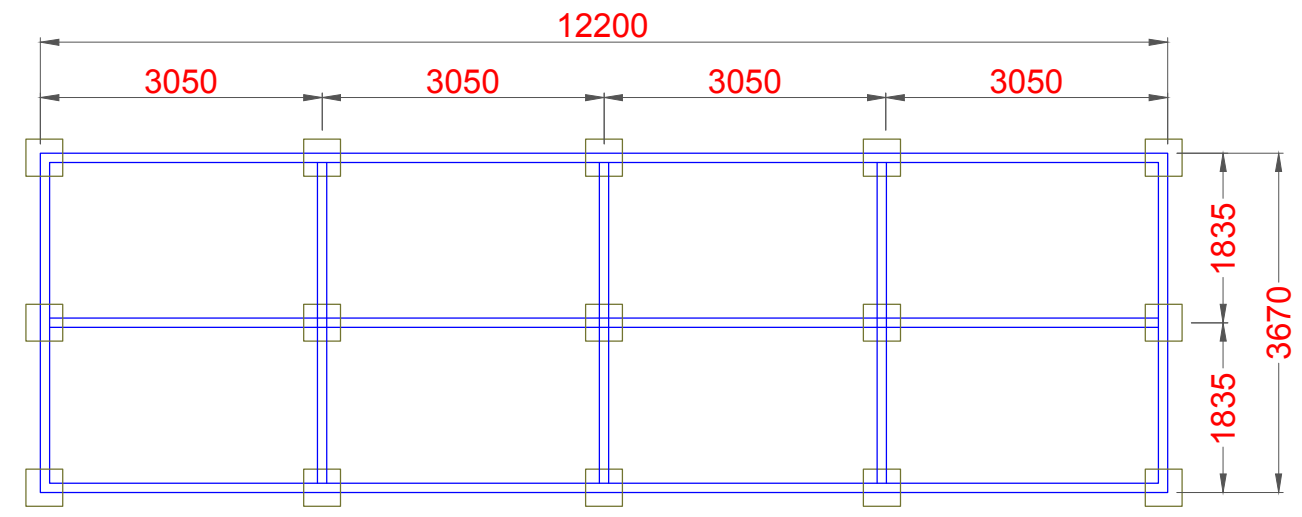


**RIGHT SIDE ELEVATION**



**ARCHITECTURAL PLAN**

SIZE: 12.2 x 3.67 m



**SKID & FOUNDATION PLAN**

**SHEET CONTENTS:**

**CABIN**

CHECK BY:	APPROVED BY:
DRAWN BY: RAUF/03	DWG. NO. OF-113
DATE: March-02-2016	REF. NO.
SCALE: NTS	JOB NO.
JOB NO.	SHEET NO. 1/1